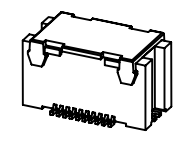


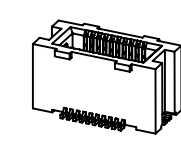
- NOTES:
- MATERIAL:
HOUSING:HIGH TEMP THERMOPLASTIC,UL94V-0
TERMINAL:COPPER ALLOY
PLATING:50u" MIN NICKEL UNDERPLATING OVER ALL
GOLD FLASH OVER ALL
FITTING NAIL:COPPER ALLOY
PLATING:50u" MIN NICKEL UNDERPLATING OVER ALL
GOLD FLASH OVER ALL
 - THE SPEC PLS REFER TO PS-50021-XXXX-XXX
 - THE PACKING DRAWING PLS REFER TO 88397-XXXX-TRP.
 - PART NUMBER
50023-XXX X X-XXX

XXX	Housing Color	Halogen Free
001	Black	HF

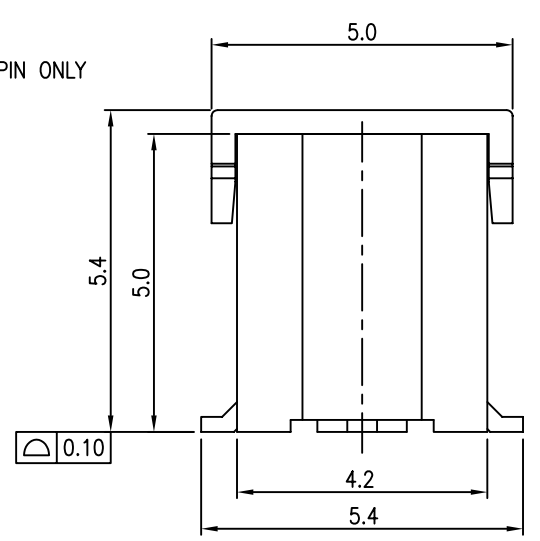
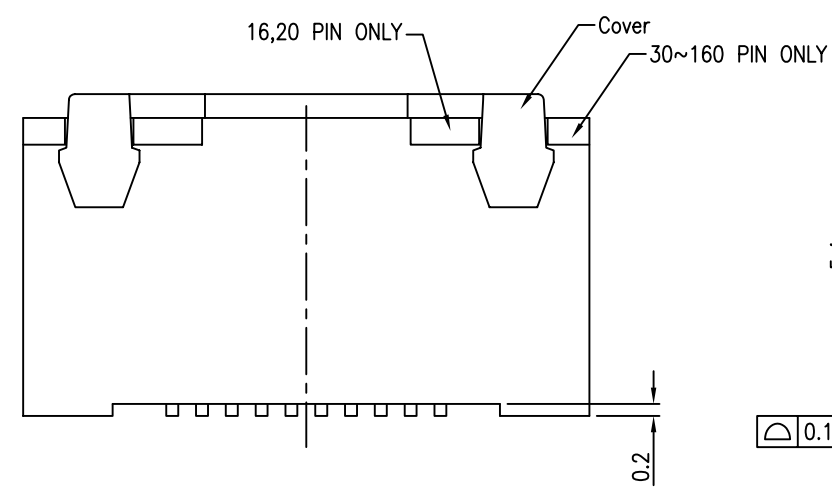
- NO OF CKT
- PLATING
1:GOLD FLASH OVER ALL
- PACKING
7:TAPE & REEL WITH COVER.
8:TUBE WITH COVER.



WITH COVER



WITHOUT COVER



CKT	DIM A	DIM B	DIM C
16	3.5	5.5	8.5
20	4.5	6.5	9.5
30	7.0	9.0	12.0
40	9.5	11.5	14.5
50	12.0	14.0	17.0
60	14.5	16.5	19.5
70	17.0	19.0	22.0
80	19.5	21.5	24.5
100	24.5	26.5	29.5
120	29.5	31.5	34.5
160	39.5	41.5	44.5
200	49.5	51.5	54.5

一般公差 TOLERANCES X ±0.5 XY ±0.15 X ±0.25 XXX ±0.1 ANGLES ±2°		宏致電子股份有限公司 Aces Electronic Co.,Ltd.	
檢驗尺寸標示 SYMBOLS ⊕ ⊕ INDICATE CLASSIFICATION DIMENSION	品名 (TITLE) 0.5mm BTB D/R CONN. SMT S/T TYPE(WITH COVER)	製圖 (DR) 10/11/03 校對 (CHKD) WGCH	5
⊕ MARK IS CRITICAL DIM. ⊕ MARK IS MAJOR DIM.	圖號 (DWG.NO) 50023-XXXX-XXX	審核 (APPD) JASON	
表面處理 (FINISH)	比例 (SCALE) 8:1	單位 (UNITS) mm	張數 (SHEET) 1 OF 1
			尺寸 (SIZE) A4
			版次 (REV) A